

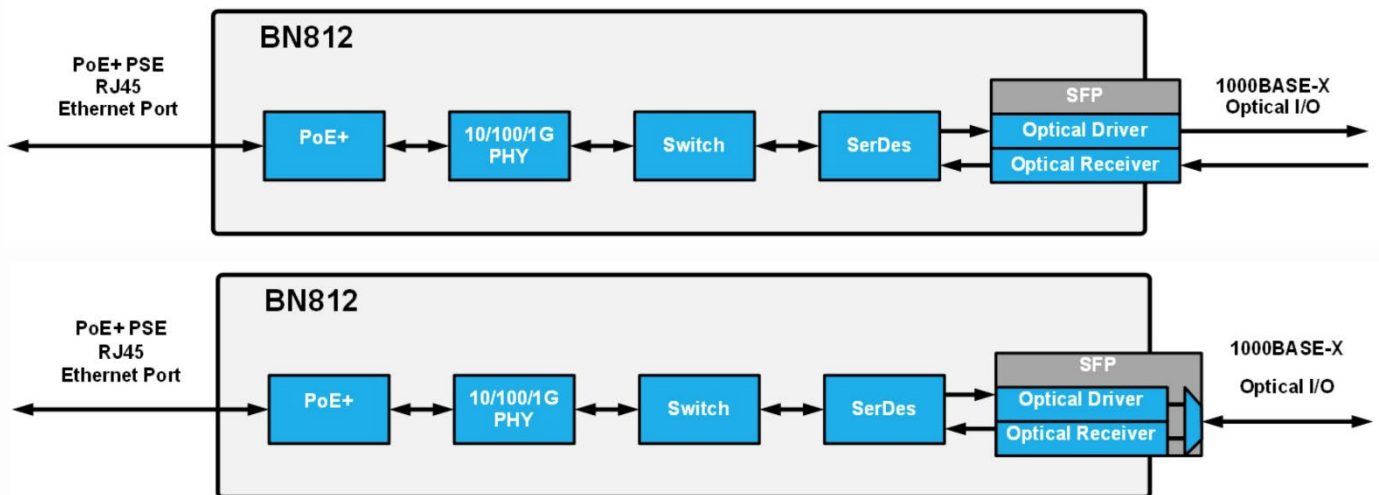
# BN812: PoE+ Multi-rate Ethernet to Fibre Converter Module 10/100/1000BaseT



## Description:

- 10/100/1000Base-T to 1000Base-X conversion over fibre
- PoE+ support delivers up to 30W of power over twisted pair – ideal for NDI-enabled PTZ cameras
- Supports distances up to 120km using appropriate SFPs (Multimode, Singlemode, CWDM, etc.)
- Compact and rugged enclosure designed for Outside Broadcast (OB) environments
- Single cable solution simplifies rigging and maintenance
- LED indicators for power, network, and fibre activity
- Powered by standard 12V DC input
- Can be paired with another BN812 or with rack-based BC860/BC862 converters for flexible system design

## Schematic diagram:



## Specifications

Standards:	IEEE 802.3i (10Base-T)
	IEEE 802.3u (Fast Ethernet)
	IEEE 802.3ab (Gigabit Ethernet)
	IEEE 802.3z (1000BASE-X)
	IEEE 802.3x (flow control)
	IEEE 802.3af (PoE)
	IEEE 802.3at (PoE+)
Ports:	RJ45 (10/100/1000BASE-T)
	SFP (1000BASE-X)
	XLR4-M (POWER IN)
Transmission Distance	Single Mode: 20/40/80/120km (SFP dependant)
	Multimode: 550m / 2km (SFP dependant)
UTP/STP:	100m
LED indication:	Power/PoE Status
	FX LINK/ACT
	TP LINK/ACT
Power:	11-17VDC
	2W Typ. +PoE Power (SFP dependant)
	35W Max
Dimensions:	95 x 64 x 30mm excluding connectors
Weight:	xxxg
Operating Temperature:	0°C - 70°C

## Ordering Information

<b>BN812/S/2/13/LH</b>	Singlemode Dual Fibre 10/100/1000BaseT Ethernet to 1000Base-EX Fibre Converter module (1310nm). 40km Long Haul Transceiver. Includes PS12 power supply
<b>BN812S/2/CWDM/xx/WB</b>	Singlemode Dual Fibre 10/100/1000BaseT Ethernet to 1000Base-EX Fibre Converter module (CWDM). CWDM 40km Long Haul Transceiver. Includes PS12 power supply
<b>BN812S/13/15</b>	Singlemode Single Fibre 10/100/1000BaseT Ethernet to 1000Base-LX10 Fibre Converter module (1310nm). Used in conjunction with BN812/S/15/13 as a matched pair. Includes PS12 power supply
<b>BN812S/15/13</b>	Singlemode Single Fibre 10/100/1000BaseT Ethernet to 1000Base-LX10 Fibre Converter module (1550nm). Used in conjunction with BN812/S/13/15 as a matched pair. Fitted with LC connectors as standard. Includes PS12 power supply
<b>BN812</b>	10/100/1000BaseT Ethernet to 1000BaseT Fibre Converter Module - No Optics Fitted. Includes PS12 power supply



Bluebell Opticom Limited

Unit 2, The Quadrant, Howarth Road, Maidenhead, Berkshire, SL61AP

Tel. +44 (0)1628 510055 Email: sales@bluebell.tv website: www.av.bluebell.tv

