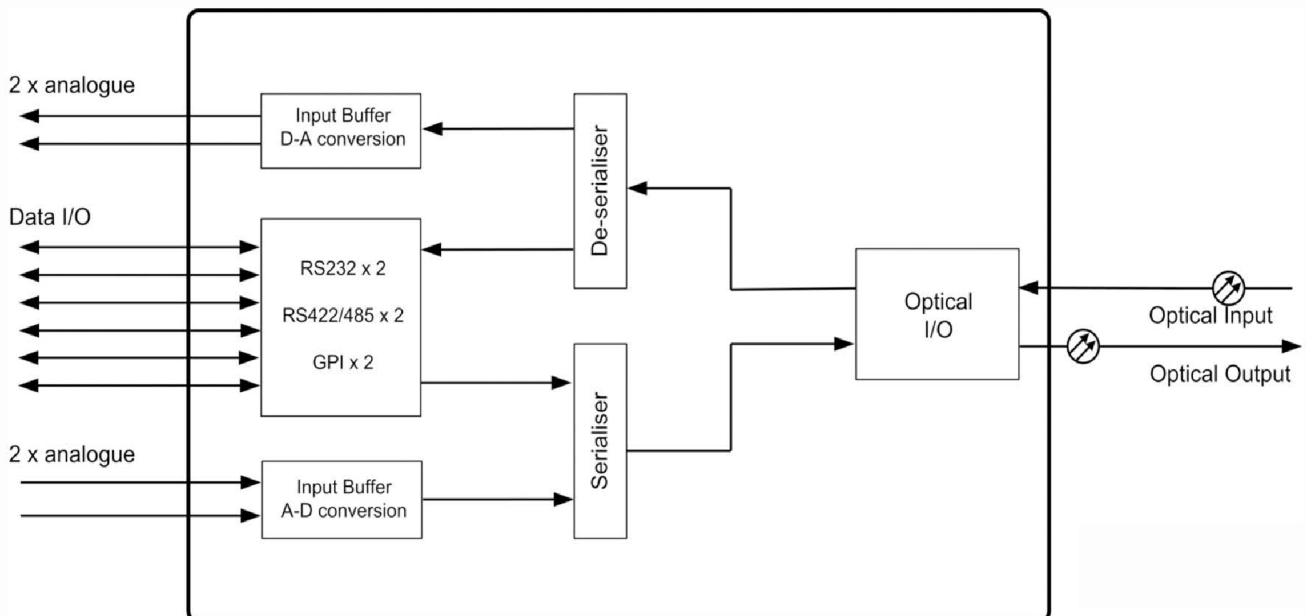




## Description:

- The BN623 is specifically designed to link remote panels in an intercom system back to the main central routing position.
- The robust design allows the unit to be deployed in OB or flypack applications.
- Can be supplied in multimode, singlemode, and CWDM variations to suit all applications, offering a perfect complement to the BC323, BC550, and BC323-63 modules.
- Power can be supplied direct to the unit from the standard Bluebell PS12 or any readily available DC supply found on-site.
- A complimentary modular BC Series card is also available when a 19" rack-based solution is required.
- The BN623 provides bidirectional analogue audio and serial control data over fibre.

## Schematic diagram:



## Specifications

Electrical Input/Audio	
Connector	44 pin D connector
Format	2 x analogue audio1, 20 Hz– 20 kHz ± 0.3 dB 2 x RS232 Bi-directional 2 x RS422/485 Bi-directional 2 x GPI Bi-directional
Optical Output	
Connector	Optical specifications determined by SFP
TX wavelength and power plus receive sensitivity are defined by the SFP fitted. Typical values are outlined below	
RX Wavelength	
RX Sensitivity	
Max I/P power	
Note	

## General Card Specification

Depth	92mm
Width	64mm
Height	30mm (Excluding Connectors)
Weight	100g
Operating Temp	-30 to+70°C
Power	2.5 W
Conformance	
EMI/RFI	Complies with 89/336/EEC, EN55022B, EN61000-4-2, EN61000-4-4-(Level 2), EN61000-4-4FTB, EN61000-4-5, EN61000-4-11
Electrical	Complies with EN61000-6-1, EN61000-6-2, EN61000-6-3, EN61000-6-4
Laser Safety	Dependent on SFP fitted. Complies with Class 1 laser product
RoHS	Complies with Directive 2002/95/EC
Warranty	5 Years

## Ordering Information

<b>BC623/M</b>	Multimode Dual Fibre Audio and Data Fibre Optic Transceiver Module. Provides 2 x analogue audio, 2 x RS232, 2 x RS422/485 and 2 x GPI over 2 fibres. Fitted with LC connectors. Includes PS12 power supply
<b>BC623/S/13/WB</b>	Singlemode Dual Fibre Audio and Data Fibre Optic Transceiver Module. Provides 2 x analogue audio, 2 x RS232, 2 x RS422/485 and 2 x GPI over 2 fibres. (1310 nm TX and Wideband receiver). Fitted with LC connectors. Includes PS12 power supply.
<b>BN623/S/13/15</b>	Singlemode Single Fibre Audio and Data Fibre Optic Transceiver Module. Provides 2 x analogue audio, 2 x RS232, 2 x RS422/485 and 2 x GPI over 1 fibre. (1310 nm TX). Used in conjunction with BN623/S/15/13 as a matched pair. Fitted with LC connectors. Includes PS12 power supply.
<b>BN623/S/15/13</b>	Singlemode Single Fibre Audio and Data Fibre Optic Transceiver Module. Provides 2 x analogue audio, 2 x RS232, 2 x RS422/485 and 2 x GPI over 1 fibres. (1550 nm TX). Used in conjunction with BN623/S/13/15 as a matched pair. Fitted with LC connectors. Includes PS12 power supply.
<b>BN623/S/CWDM/xx/WB</b>	Singlemode Dual Fibre Audio and Data Fibre Optic Transceiver Module. Provides 2 x analogue audio, 2 x RS232, 2 x RS422/485 and 2 x GPI over 2 fibres. (CWDM TX and Wideband receiver). Fitted with LC connectors. Includes PS12 power supply.
<b>BN623</b>	Audio and Data Fibre Optic Transceiver Base Module. Provides 2 x analogue audio, 2 x RS232, 2 x RS422/485 and 2 x GPI over fibre. No Optics Fitted. Includes PS12 power supply.



Bluebell Opticom Limited

Unit 2, The Quadrant, Howarth Road, Maidenhead, Berkshire, SL61AP

Tel. +44 (0)1628 510055 Email: sales@bluebell.tv website: www.av.bluebell.tv